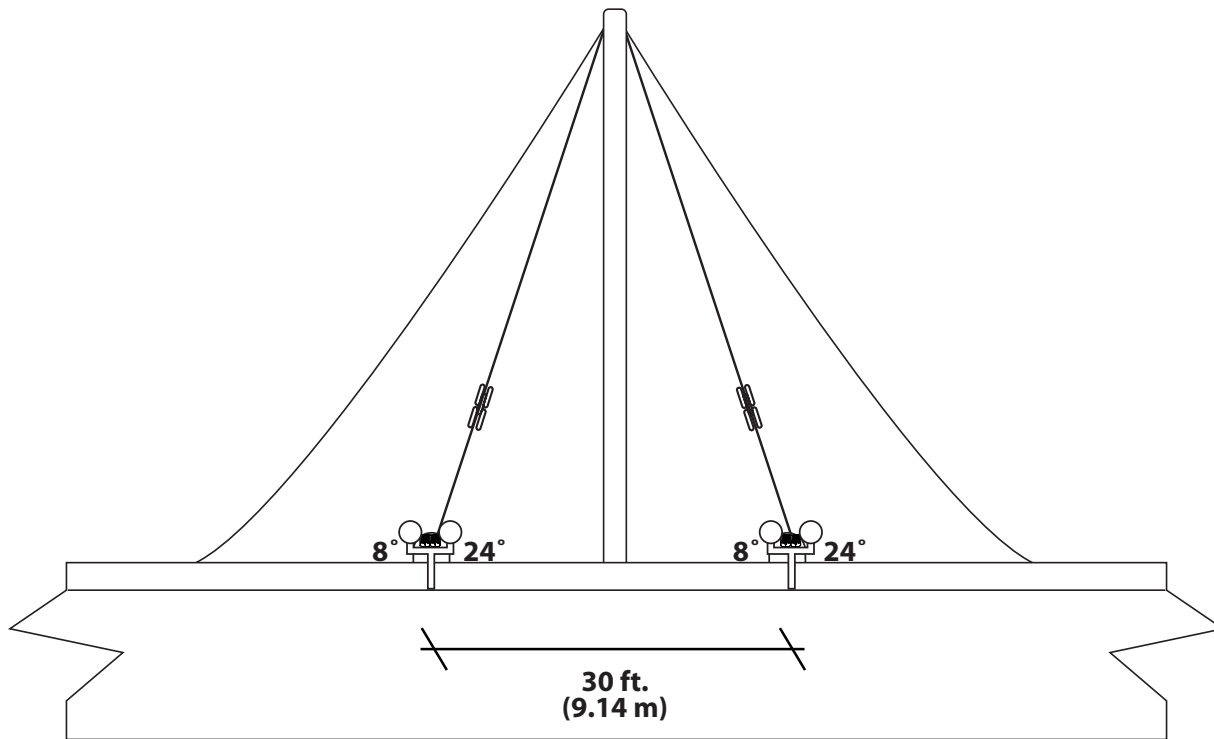
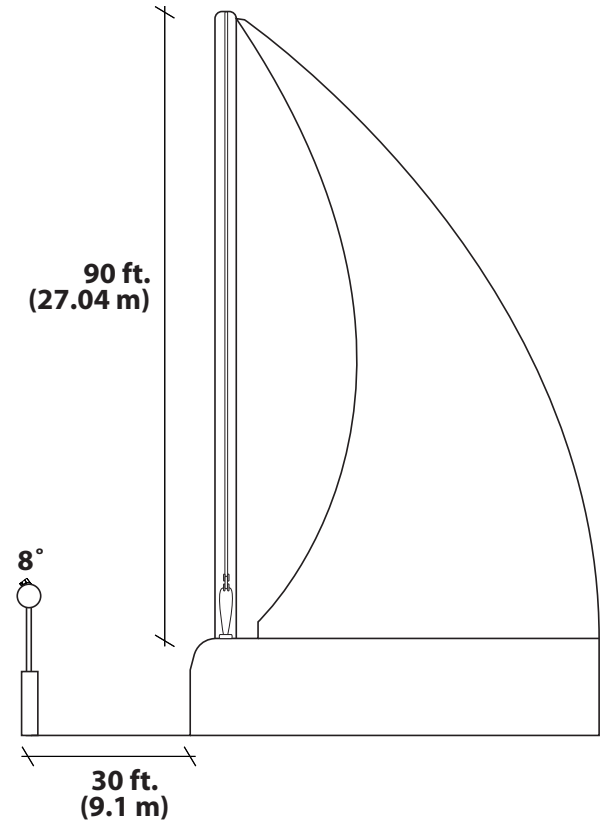


80 ft.
(24.38 m)



East View

90 ft.
(27.04 m)



Side View

REVISIONS	BY/PAR	DATE	NOTES
1	EC	JUNE05	DRAWING COMPLETED